

Bluetooth wall transmitter

- 1-gang 2461 ..
- 2-gang 2462 ..

GIRA

Gira
Giersiepen GmbH & Co. KG
Elektro-Installations-
Systeme

Industriegebiet Mermbach
Dahlienstraße
42477 Radevormwald

Postfach 12 20
42461 Radevormwald

Deutschland

Tel +49(0)21 95 - 602-0
Fax +49(0)21 95 - 602-191

www.gira.de
info@gira.de

Bluetooth wall transmitter

Safety instructions



Electrical devices may only be installed and connected by a qualified electrician.

Failure to observe the instructions can result in damage to the device, fire or other dangers.

Wireless transmission takes place via a non-exclusive transmission path and is thus not suitable for applications in the security technology sector such as emergency-off or emergency calls.

These instructions are part of the product and must stay with the customer.

Device components

(Figure 1, 2)

- 1 Rocker
- 2 Wireless module
- 3 Cover frame
- 4 Base plate
- 5 Adhesive dots
- 6 Adhesive film

Function

System information

The range of a wireless system depends on various external factors. This range can be optimised by the ideal choice of the installation site.

Materials	Penetration
Wood, plaster, sheetrock	approx. 90 %
Brick, press board	approx. 70 %
Reinforced concrete	approx. 30 %
Metal, metal grids	approx. 10 %
Rain, snow	approx. 1 to 40 %

Intended use

- Wireless transmitter that communicates according to the BLE wireless standard.
- Installation on device box in compliance with DIN 49073 or on smooth, level surfaces using screws or adhesive bonding.

Product properties

- Battery-free device without external power supply.
- The transmission energy is generated from mechanical energy by actuating the rocker.

Operation

Transmitting wireless telegrams

- Press and release the rocker to send a wireless telegram.

Installation

To achieve good transmission quality, ensure sufficient distance to possible sources of interference, e.g. metal surfaces, microwave ovens, hi-fi systems, TV sets, ballasts and electronic transformers.

Note
A higher contact pressure is required for initial installation.
Observe TOP designation.

Adhesive mounting (Figure 1)

- Ensure that the surface is clean, free of grease and able to bear the load.
- Apply the adhesive film (6) beforehand in the case of transparent surfaces.
- Apply adhesive dots (5) to the surface or to the adhesive film (6) in the case of transparent surfaces.
- Press the baseplate (4) onto the adhesive dots.
- Plug the frame (3) onto the baseplate.
- Attach the wireless module (2).
- Attach the rocker (1).

Screw mounting (Figure 2)

- Mount the baseplate (4) on a device box or directly on the wall.
- Plug the frame (3) onto the baseplate.
- Attach the wireless module (2).
- Attach the rocker (1).

Start-up

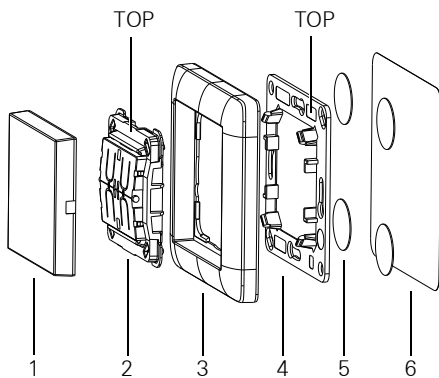
Assignment of wireless wall transmitter and wireless receiver

In order for a wireless receiver to understand a wireless telegram from the wireless wall transmitter, this wireless telegram must be assigned to the wireless receiver (see instructions for wireless receiver).

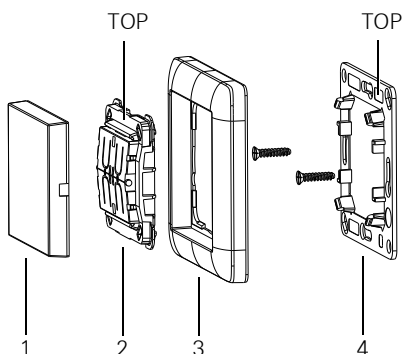
Technical data

Ambient temperature: -25 to +65 °C
Wireless frequency 2.402 ... 2.480 GHz
Transmission power max. 1.1 mW / 0.4 dBm

Transmission range
in free field: up to 75 m
in buildings: approx. 10 m
Humidity: 0 % to 95 %
(no condensation)



1



2

Conformity

Gira Giersiepen GmbH & Co. KG hereby declares that the wireless system type, item no. 2461 .. and 2462 .., conforms to Directive 2014/53/EU. The complete item number can be found on the device. The complete text of the EU declaration of conformity is available at the following Internet address:

www.gira.de/konformitaet

Warranty

The warranty is provided in accordance with the statutory requirements via the retailer.

Please submit or send faulty devices postage paid and with a fault description to your sales representative (retailer / installation company / electronics retailer).

They will forward the devices to the Gira Service Centre.